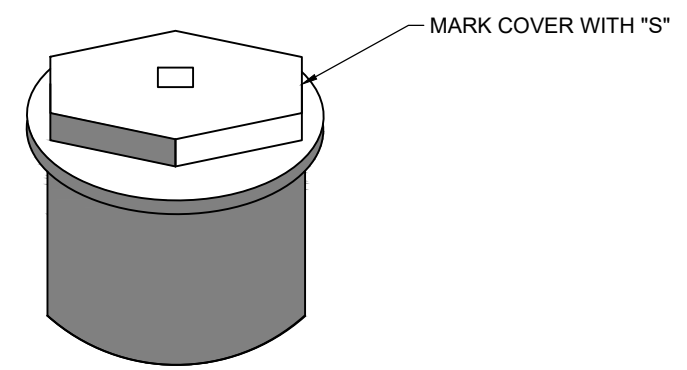
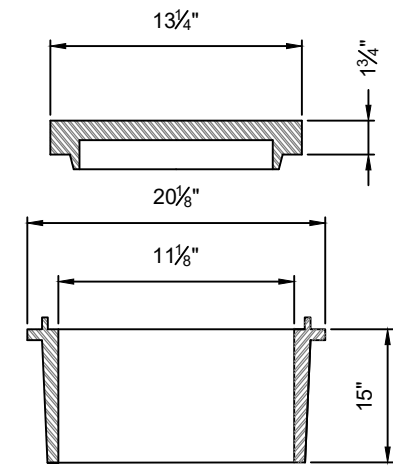
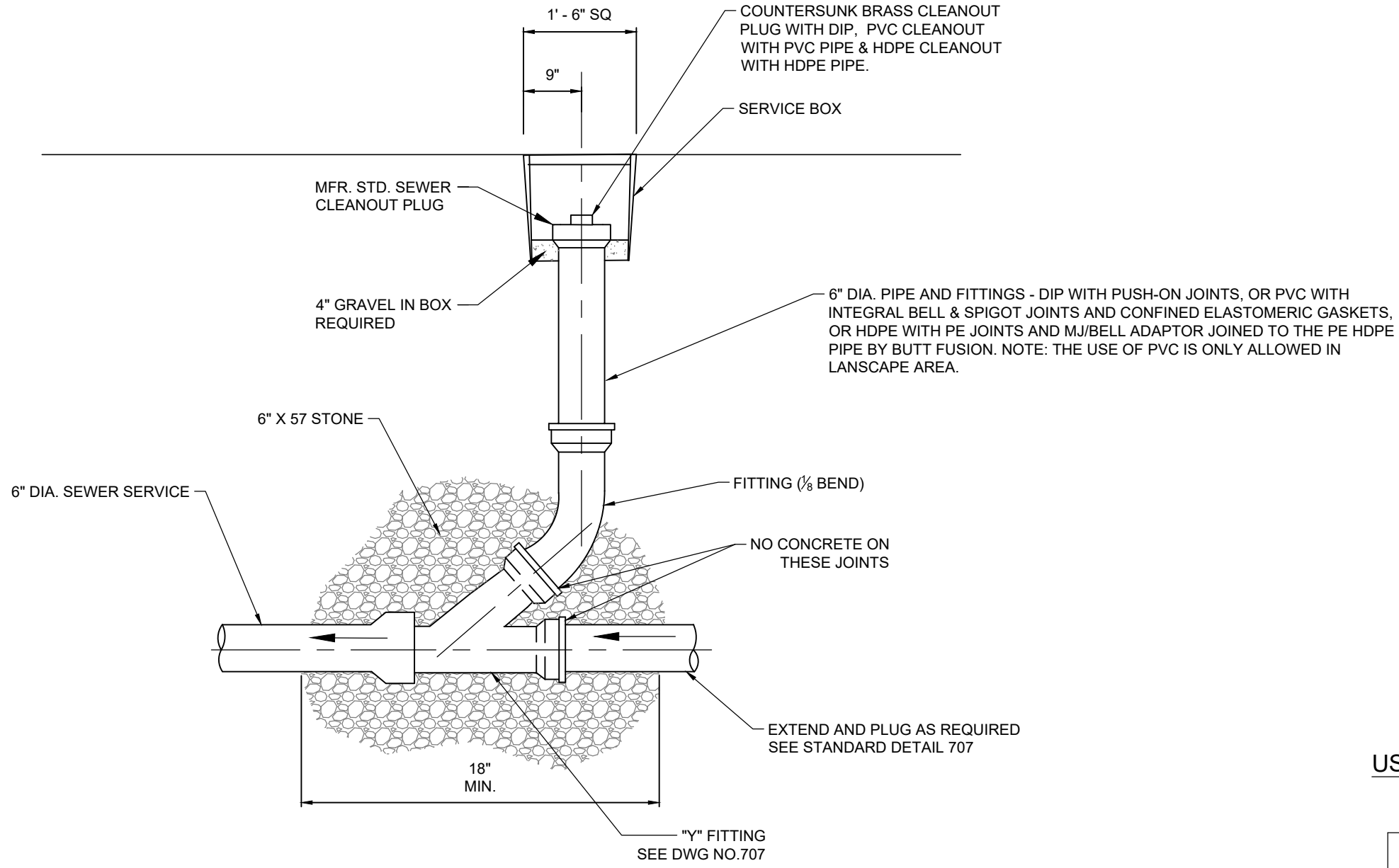


NOTES:

1. TOP OF SERVICE BOX SHALL BE FLUSH WITH FINAL SURFACE IN SIDEWALKS AND PAVED AREAS.
2. HEAVY DUTY CLEANOUT BOX AND LID ARE REQUIRED IN PAVED AREAS.
3. CLEANOUTS IN PAVED AREA ARE TO BE 6-INCH DUCTILE IRON PIPE.



USF 7635 SEWER VALVE BOX AND COVER
N.T.S.

| TABLE 709 - 1 | | | |
|---------------|-------------|--------------|--------------|
| COVER TYPE | LOAD RATING | COVER WEIGHT | TOTAL WEIGHT |
| FJ | HEAVY DUTY | 55 | 230 |

95% SUBMITTAL

FULTON COUNTY STANDARD DETAIL 709
CLEANOUT DETAIL

| DATE | REVISIONS | DATE | REVISIONS |
|------|-----------|------|-----------|
| M/Y | XXX | M/Y | XXX |
| | | | |
| | | | |
| | | | |
| | | | |

DGS/DRN/CHKD: XXX
APPROVED: XXX
DATE: XX-X-XX



FULTON COUNTY PUBLIC WORKS
141 PRYOR ST. ATLANTA, GA. 30303
404-612-7400 FAX: 404-224-0498

DRAWING NO.
709