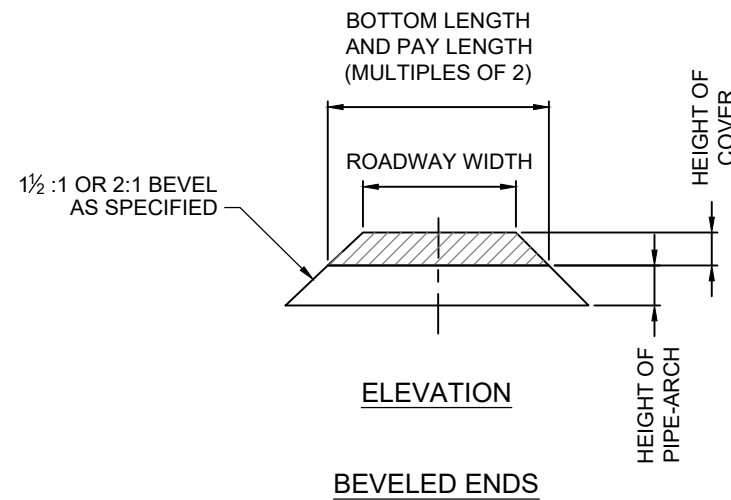
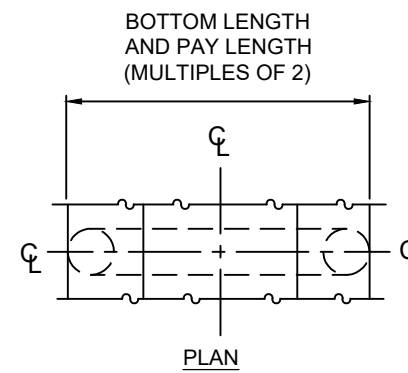
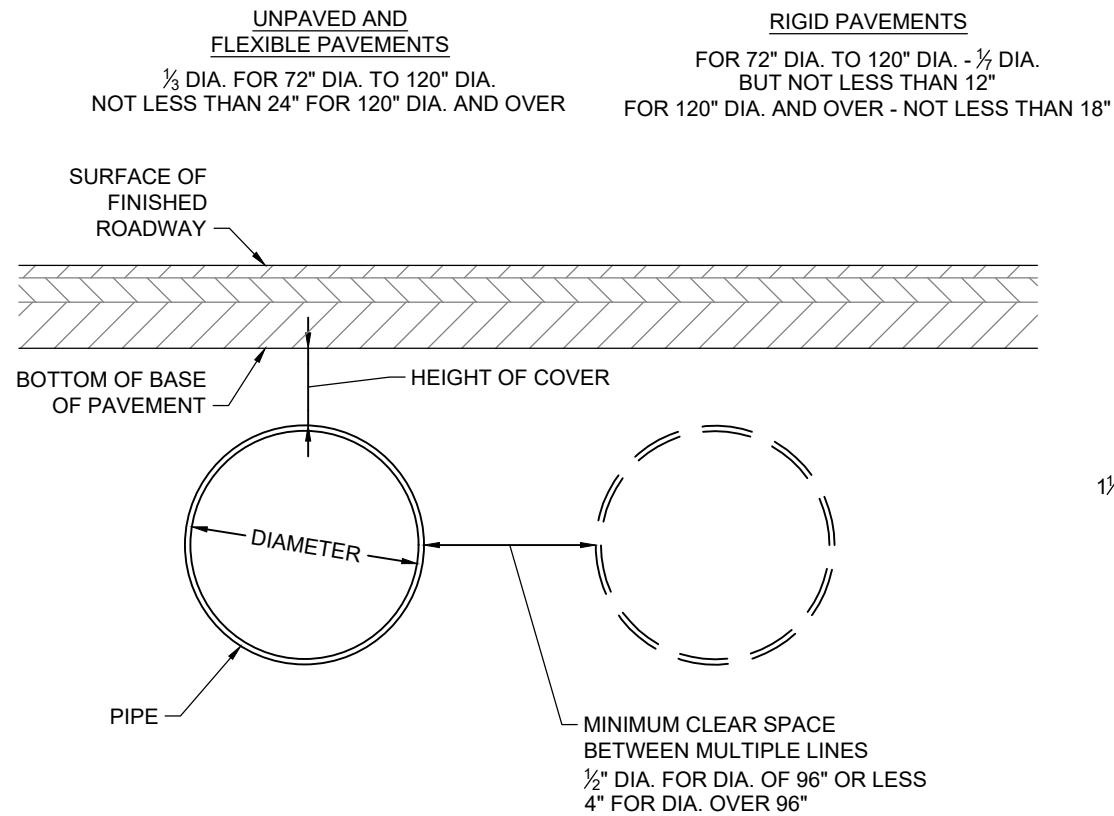


MINIMUM HEIGHT OF COVER



NOTES:

1. SPECIFICATIONS - GEORGIA STANDARD
2. DESIGN DATA - H-20 LIVE LOAD
3. GAUGES SHOWN ARE MINIMAL STRUCTURAL REQUIREMENTS FOR USE WITH ADEQUATE BACKFILL.
4. FOR END FINISH, SHAPE OR CONDITION OTHER THAN SHOWN, SEE SPECIAL DESIGN.
5. GAUGES SHOWN IN TABLE 705-1 ARE FOR STRUCTURAL PLATE PIPE ASSEMBLED WITH 4 BOLTS PER FOOT OF LONGITUDINAL SEAM AND VERTICALLY ELONGATED 5% BY SHOP FORMING, EXCEPT AS NOTED IN NOTE 6.
6. BEYOND HEIGHTS OF COVER FOR 4 BOLTS AND TO HEIGHTS OF COVER SHOWN FOR 6 BOLTS, NO.1 GAUGE STRUCTURAL PLATE PIPE WITH 6 BOLTS PER FOOT OF LONGITUDINAL SEAM AND VERTICALLY ELONGATED 3% BY SHOP FORMING SHALL BE USED.
7. ONLY R.C.P. ALLOWED UNDER COUNTY ROADS.

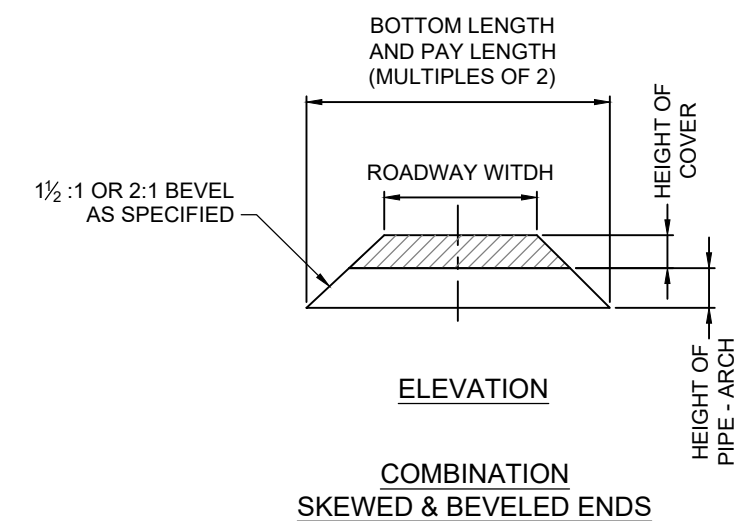
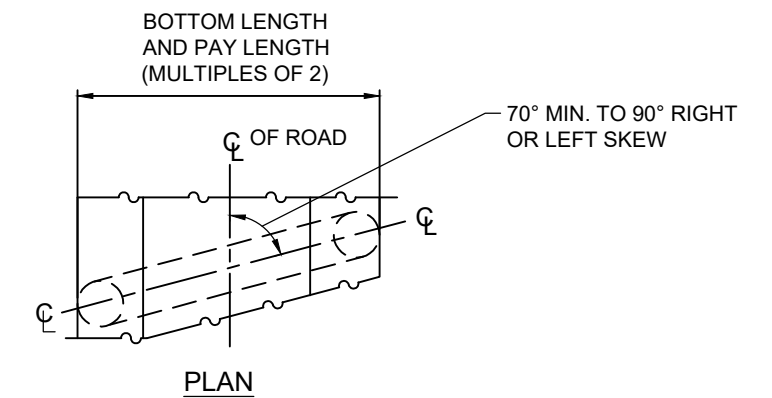


TABLE 705 - 1

AREA SQ.FT.	DIA. INCHES	HEIGHT OF COVER (FEET)															1 GAUGE 6 BOLTS			
		1 - 5	6 - 10	11 - 15	16 - 20	21 - 25	26 - 30	31 - 35	36 - 40	41 - 45	46 - 50	51 - 55	56 - 60	61 - 70	71 - 80	81 - 90		91 - 100		
28	72									12	12	10	10	8	8	7	5	3	1	165'
33	78									12	12	10	10	8	8	8	5	3	1	150'
38	84					12	12	12	10	10	8	8	7	5	3	1				140'
44	90	12	12	12	12	12	12	10	10	8	8	7	5	3	1					130'
50	96	12	12	12	12	12	10	10	10	8	7	7	5	3	1					125'
57	102	12	12	12	12	10	10	10	8	8	7	5	5	1						115'
64	108	12	12	12	10	10	10	10	8	8	7	5	5	3	1					110'
71	114	10	12	10	10	10	10	10	8	8	7	5	5	3	1					105'
79	120	10	12	10	10	10	10	10	8	7	5	5	3	1						100'
87	126	10	12	10	10	10	10	10	8	7	5	3	3	1						95'
95	132	10	10	10	10	10	8	8	7	5	3	1	1							90'
104	138	10	10	10	10	10	8	7	5	3	3	1								85'
113	144	10	10	10	10	8	8	7	5	3	1	1								80'
123	150	10	10	10	8	8	8	7	5	3	1									80'
133	156	10	10	10	8	8	8	5	3	1	1									75'
145	162	10	10	10	8	8	7	5	3	1										70'
154	168	10	10	10	8	8	7	5	3	1										70'
165	174	8	10	8	8	8	7	5	3	1										65'
177	180	8	10	8	8	8	5	3	1											65'

MINIMUM THICKNESS U.S. STD. GAUGE - 4 BOLTS

FOR STRUCTURES IN THIS ZONE, SEE NOTE 6.

95% SUBMITTAL

FULTON COUNTY STANDARD DETAIL 705
 STANDARD STRUCTURAL PLATE PIPE CULVERT

DATE	REVISIONS	DATE	REVISIONS
M/Y	XXX	M/Y	XXX

DGS/DRN/CHKD: XXX
 APPROVED: XXX
 DATE: XX-X-XX



FULTON COUNTY PUBLIC WORKS
 141 PRYOR ST. ATLANTA, GA. 30303
 404-612-7400 FAX: 404-224-0498

DRAWING NO.
705