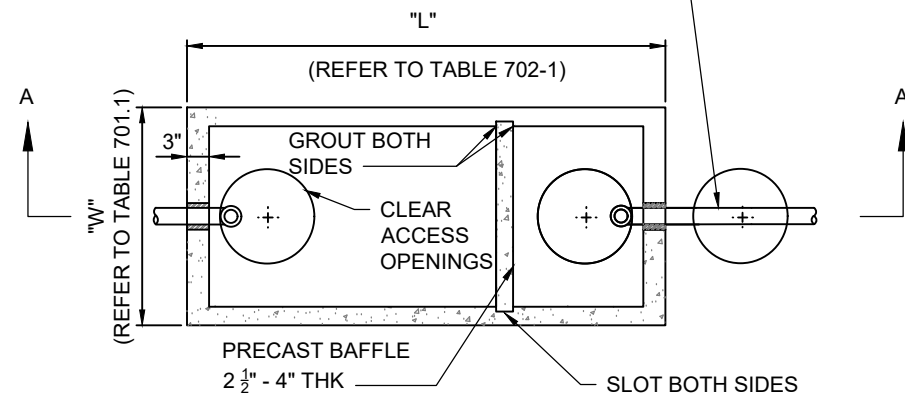
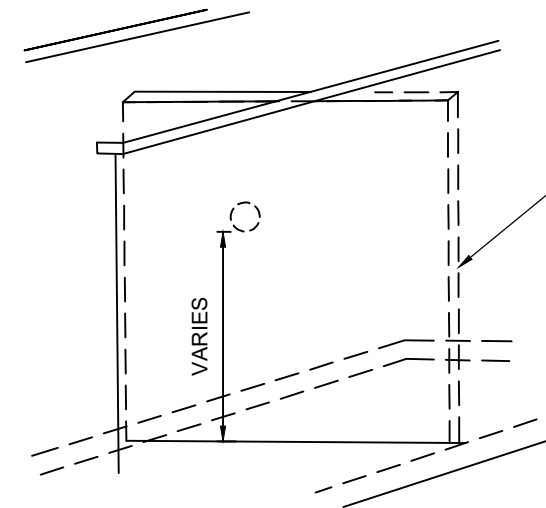
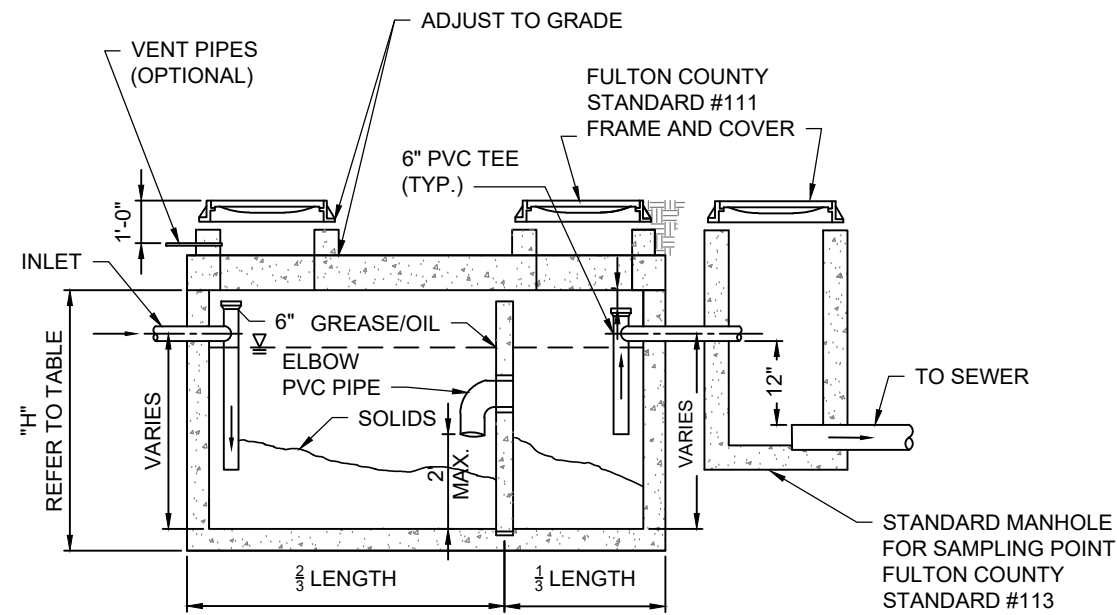


INVERT REQ'D
IN TEST MH
REFER TO
F.C. STD. 113



GALLON CAPACITY	*OUTSIDE DIMENSIONS			INLET TEE HGT.	OUTLET TEE HGT.
	LENGTH,	WIDTH	HEIGHT	VARIES BASED ON TANK SIZE	
3000	15'-7"	9'-7"	8'- 6.5"	5' - 2"	5'-0"
1500	11'-0"	6'-0"	4'-7"	3'-10"	4'-0"
1000	8'-6"	5'-3"	4'-6"	3'-10"	4'-0"
750	7'-0"	4'-8"	4'-6"	3'-10"	4'-0"

*DIMENSIONS OF PREFAB CONCRETE TANKS MAY VARY BASED ON MANUFACTURER, HOWEVER THE GALLON CAPACITY MUST BE EQUIVALENT TO THE TANK SIZE SPECIFIED FOR INSTALLATION.



BAFFLE STANDS 50" IN HEIGHT
AND IS 2 1/2" IN THICKNESS
REINFORCED W/ 6-6-10 WIRE MESH

PIPE DIAMETER MAY VARY
STANDARD 3" - 5"
PVC PIPE REQ'D ON WALL
WITH ELBOW TURNED DOWN MAX.
2' OFF TANK BOTTOM

* BAFFLE WALL OPTIONAL ON
SINGLE TANK INSTALLATIONS.

FULTON COUNTY STANDARD DETAIL 702
SINGLE TANKS

DATE	REVISIONS	DATE	REVISIONS
M/Y	XXX	M/Y	XXX

DGS/DRN/CHKD: XXX
APPROVED: XXX
DATE: XX-X-XX



FULTON COUNTY PUBLIC WORKS
141 PRYOR ST. ATLANTA, GA. 30303
404-612-7400 FAX: 404-224-0498

DRAWING NO.
702

95% SUBMITTAL