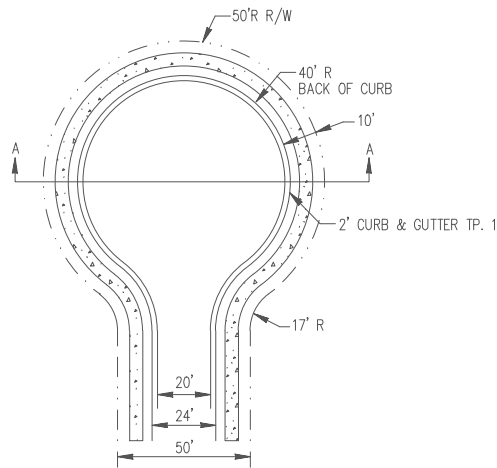
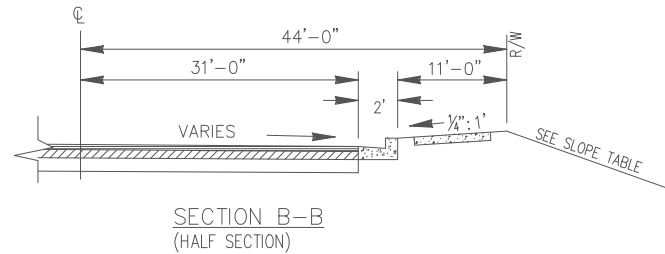
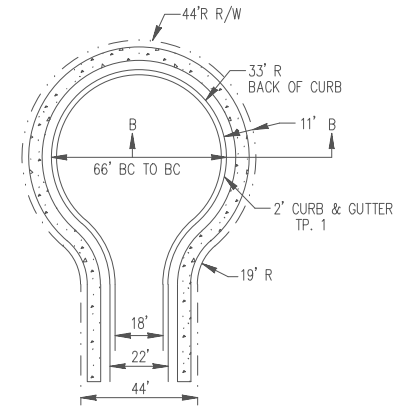


RAISED PAVEMENT MARKERS TO BE USED AS REQUIRED AND MUST BE APPROVED BY COUNTY ENGINEER/INSPECTOR



CUL-DE-SAC PLAN  
MAJOR SUBDIVISION STREET  
N.T.S.



CUL-DE-SAC PLAN  
MINOR SUBDIVISION STREET  
N.T.S.

MAJOR SUB. DIV. STREETS & ENTRANCE ROADS

PAVEMENT MATERIAL SCHEDULE	
(A)	ASPH. CONC. 9.5 mm SUPERPAVE, 165 lb/yd <sup>2</sup> (1-1/2")
(B)	ASPH. CONC. 19 mm SUPERPAVE, 220 lb/yd <sup>2</sup> (2")
(C)	GRADED AGGREGATE BASE (CRUSHER RUN) 8"

\*\*\*\*TACK COAT (CRS2H, SS1 or AC30) TO BE USED AS REQUIRED  
\*\*\*\*PRIME COAT (RC70) TO BE USED AS REQUIRED

MINOR SUB. DIV. STREETS & SIDE ROADS

PAVEMENT MATERIAL SCHEDULE	
(A)	ASPH. CONC. 9.5 mm SUPERPAVE, 165 lb/yd <sup>2</sup> (1-1/2")
(B)	ASPH. CONC. 19 mm SUPERPAVE, 220 lb/yd <sup>2</sup> (2")
(C)	GRADED AGGREGATE BASE (CRUSHER RUN) 6"

\*\*\*\*TACK COAT (CRS2H, SS1 or AC30) TO BE USED AS REQUIRED  
\*\*\*\*PRIME COAT (RC70) TO BE USED AS REQUIRED

SLOPE TABLE			
CUT SLOPE		FILL SLOPE	
0'-5'	5' OR MORE	0'-5'	5' OR MORE
4:1	2:1	4:1	2:1

FULTON COUNTY STANDARD DETAIL 303  
TYPICAL SECTIONS  
CUL-DE-SAC

DATE	REVISIONS	DATE	REVISIONS
6-08	CS		
1-18	TPM		

DGS/DRN/CHKD: KAH  
APPROVED: LJM  
DATE: 4-19-05



FULTON COUNTY PUBLIC WORKS  
141 PRYOR ST. ATLANTA, GA. 30303  
404-612-7400 FAX: 404-730-6325

DRAWING NO.

303