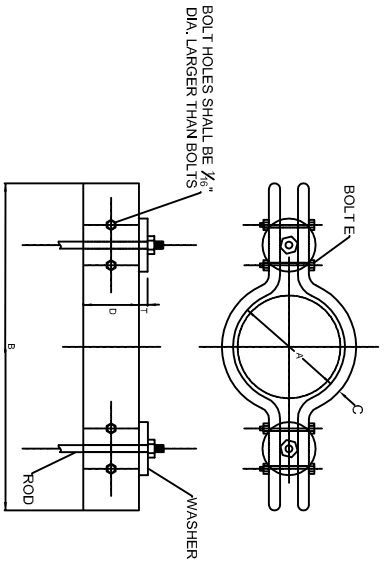
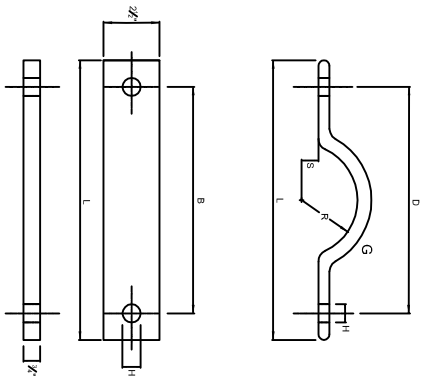


TOP VIEW



SIDE VIEW



STEEL SOCKET CLAMP DIMENSIONS (INCHES)

SIZE	A	B	C	D	E	T	ROD & C WASH SIZE
4	5	14 5/8	1/2	2	5/8 x 3 1/2	5/8	3/4
6	7 1/8	18 7/8	1/2	2	5/8 x 3 1/2	5/8	3/4
8	9 5/16	19 1/8	5/8	2 1/2	5/8 x 3 3/4	5/8	3/4
10	11 1/2	21 3/8	5/8	2 1/2	5/8 x 3 3/4	3/4	3/4
12	13 1/2	25 1/8	5/8	3	5/8 x 3 3/4	3/4	3/4
14	13 3/4	28 1/4	3/4	3	7/8 x 4 1/2	7/8	3/4
16	17 7/8	31 3/8	3/4	4	7/8 x 4 1/2	7/8	3/4
20	22 1/8	37 3/4	3/4	4 1/2	1 1/4 x 5	1 1/8	3/4
24	26 3/8	44 1/4	3/4	5	1 1/2 x 5 1/2	1 1/4	3/4

ABOVE ANCHOR STRAP DIMENSIONS (INCHES)

SIZE	B	G	H	L	R	S
4	10 1/8	5/8 X 2 1/2	13/16	12 1/2	2 1/2	3/4
6	12 1/8	5/8 X 2 1/2	13/16	14 1/2	3 9/16	3/4
8	14 3/8	5/8 X 2 1/2	13/16	16 3/4	4 21/32	3/4
10	16 11/16	5/8 X 2 1/2	1 1/16	19 1/8	5 3/4	3/4
12	19 3/16	5/8 X 3	1 1/16	22 5/16	6 3/4	7/8

NOTES:

1. INSTALLATION AND MATERIAL OF RODS, CLAMPS, STRAPS, BOLTS AND WASHERS SHALL CONFORM TO THE NATIONAL FIRE CODE - NFPA NO. 24 (LATEST REVISION)
2. YOKES AND ANCHOR STRAPS FOR FITTINGS LARGER THAN 12" SHALL BE DESIGNED AND APPROVED FOR SPECIFIC INSTALLATION
3. RODS TO BE HIGH TENSILE, NOT ROLLED STEEL, WITH TENSILE STRENGTH OF 110,000 P.S.I. AND A MIN. OF 95,000 YIELD STRENGTH
4. NUTS TO HAVE HEAVY DUTY SEMI-FINISH WITH NATIONAL COURSE THREADS
5. AFTER INSTALLATION, THE RODS AND CLAMP ASSEMBLY SHALL BE THOROUGHLY COVERED WITH ROYSTON LABORATORIES, INC. ROSKOTE MASTIC NO. A939 OR KOPPEPS CO. INC. BITUMASTIC SUPERSERVICE BLACK OR APPROVED EQUIVALENT

FULTON COUNTY STANDARD DETAIL 128
THRUST RESTRAINTS: STRAP AND ROD DETAILS

DATE	REVISIONS	DATE	REVISIONS
B/08	NRR		

DGS/D/N/C/K/D: CMS
APPROVED: _____
DATE: 12-2-05



FULTON COUNTY PUBLIC WORKS
141 PRYOR ST. ATLANTA, GA. 30303
404-612-7400 FAX: 404-224-0498

DRAWING NO. 128